

Island mounted
Zen 120 cm
White

EAN 5414425075201



Functions & features

▪ Control method	Push buttons
▪ Number of speeds	3 + power
▪ Automatic Power revert (minutes)	6
▪ Motor	Integrated
▪ Sound absorber	Integrated
▪ Recirculation	Standard
▪ InTouch function	Standard
▪ Auto stop	▪
▪ Delayed switch off (minutes)	30
▪ Number of grease filters	1
▪ Grease filter	7400020
▪ Grease filter cleaning indication	▪
▪ Recirculation filter cleaning indication	▪

Dimensions

▪ Product dimensions exhaust (WxDxHmin-Hmax) (mm)	1200 x 550 x 370 - 370
▪ Product dimensions recirculation (WxDxHmin-Hmax) (mm)	1200 x 550 x -
▪ Advised mounting height induction hobs (Hmin-Hmax) (mm)	650 - 850
▪ Advised mounting height gas hobs (Hmin-Hmax) (mm)	650 - 850
▪ Advised mounting height ceramic hobs (Hmin-Hmax) (mm)	600 - 850
▪ Position exhaust	Top

Lighting

▪ Functional lighting type	Led
▪ Ambient lighting type	T5
▪ Dimmable light	▪
▪ Soft-ON/OFF	▪
▪ Number of ambient lights	4
▪ Total energy consumption functional light (W)	8
▪ Total energy consumption ambient light (W)	58
▪ Color functional light	4000
▪ Color ambient light	Neutral white

Airflow and noise level

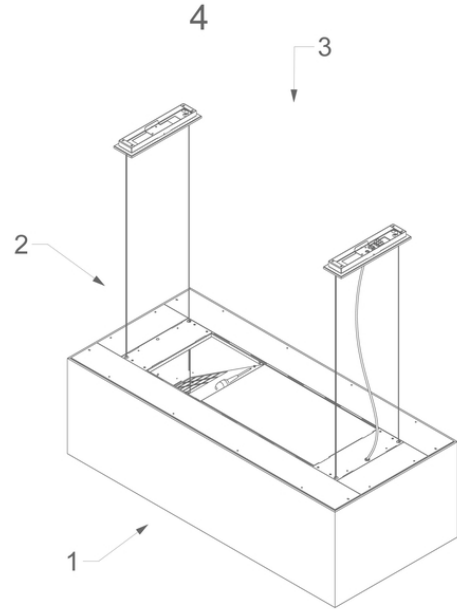
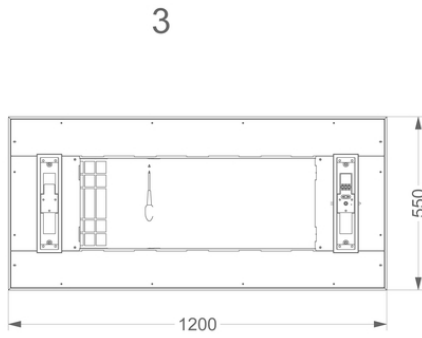
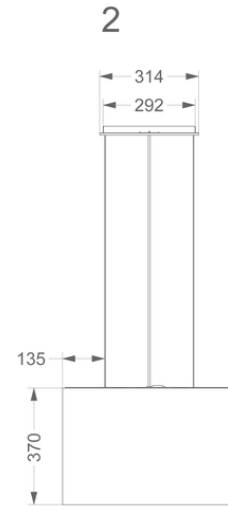
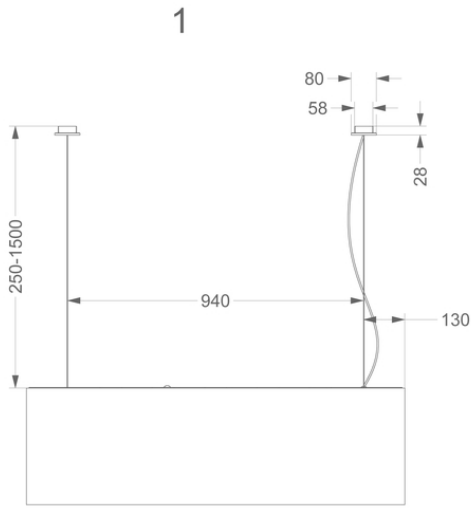
▪ Free airflow (m ³ /h)	815
▪ Airflow (m ³ /h) measured according to EN 61591	
▪ Sound regulation according to EN 60704-2-13	
▪ Airflow speed 1 (m ³ /h)	185
▪ Airflow speed 2 (m ³ /h)	318
▪ Airflow speed 3 (m ³ /h)	429
▪ Airflow Powerspeed (m ³ /h)	497
▪ Sound pressure speed 1 (dB(A)) / Sound power speed 1 (dB(A))	26 / 39
▪ Sound pressure speed 2 (dB(A)) / Sound power speed 2 (dB(A))	39 / 52

Airflow and noise level

▪ Sound pressure speed 3 (dB(A)) / Sound power speed 3 (dB(A))	45 / 58
▪ Sound pressure Powerspeed (dB(A)) / Sound Powerspeed (dB(A))	48 / 61

Technical specifications

▪ Maximum power	180
▪ Voltage (V)	220-230
▪ Frequency (Hz)	50
▪ Power consumption in stand-by-mode (Ps) (W)	0.29
▪ Net weight (kg)	49,2



Installation accessories

Back panel & chimney extensions

- 7500100

Extension cable (4x3,5m)

